



Bobcat®

S330

Compact Loaders



Machine Rating

Rated operating capacity Bobcat / ISO 14397-1	1497 / 1542 kg
Tipping load	3048 kg
Pump capacity – S330	78.4 l/min
Pump capacity – S330H	151 l/min
System relief at Quick Couplers	22.4–23.1 MPa
Travel speed — low range	11.1 km/h
Travel speed — high range	19.1 km/h

Engine

Make / Model	Kubota / V3800-DI-T-E3
Fuel / Cooling	Diesel / Liquid
Power	62.5 kW
Torque, maximum at 1600 RPM (SAE J1 995)	310 Nm
Number of cylinders	4
Displacement	3769 cm ³
Fuel tank capacity	87.1 l

Weights

Operating weight, S330	4166 kg
Operating weight, S330H	4186 kg

Controls

Vehicle steering	Direction and speed controlled by two hand levers or joysticks
Loader hydraulics tilt and lift	Separate pedals or optional Advanced Control System (ACS), Advanced Hand Controls (AHC) or Selectable Joystick Control (SJC)
Front auxiliary (standard)	Electrical switch on right-hand steering lever

Drive System

Transmission	Infinitely variable tandem hydrostatic piston pumps, driving two fully reversing hydrostatic motors
--------------	---

Standard Features

Two-speed travel	CE certification
High-back cushion suspension seat	Electrically activated proportional front auxiliary hydraulics
Automatically activated air intake heater	Engine/hydraulics system shutdown
Bob-Tach™ frame	Hydraulic bucket positioning
Bobcat Interlock Control System (BICS)	Instrumentation
Counterweights: two sets of axle weights on each side of rear axles and one set on each side on the front axles and one tailgate plate weight	Lift arm support
Deluxe operator cab	Operating lights, front and rear
Includes interior cab foam, side, top and rear windows	Parking brake
	3-point seat belt
	Seat bar
	Tyres 14 x 17.5 — 12-ply — Bobcat Heavy Duty
	Turbo-charger with approved spark arrestor

* Roll Over Protective Structure (ROPS) – meets requirements of SAE-J1040 and ISO 3471; Falling Object Protective Structure (FOPS) - meets requirements of SAE-J1043 and ISO 3449, Level I

Options

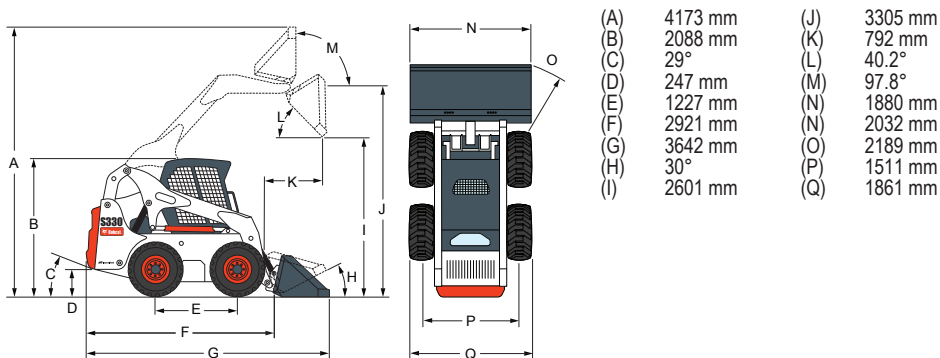
Deluxe instrument panel	Solid tyres — 14 x 17.5 — 12-ply
Cab enclosure with heating	Severe duty tyres — 14 x 17.5 — 12-ply
High-Flow hydraulics	Advanced Control System (ACS)
Air conditioning	Advanced Hand Controls (AHC)
Power Bob-Tach™	Selectable Joystick Controls (SJC)
Severe duty poly-filled tyres — 14 x 17.5 — 12-ply	

Attachments

Angle / Snow blade
Angle broom*†
Auger
Backhoe
Box blade
Brushcat rotary cutter
Buckets
Chipper*
Combination bucket
Concrete pump*
Digger
Dozer blade*
Drop hammer
Dumping hopper
Farm grapple
Finishing mower
Flail cutter
Forestry cutter
Grader*
Hydraulic breaker**
Industrial grapple
Landplane
Landscape rake
Mixing bucket*
Pallet fork – standard and heavy duty
Pallet fork – hydraulic
Planer*
Rear stabiliser
Scarifier
Snow V-blade
Snow blower*
Sod layer*
Soil conditioner*
Spreader
Stump grinder*
Super scraper
Sweeper
Three-point hitch
Tiller
Tilt-Tatch™
Tracks
Tree transplanter*
Trench compactor
Trencher
Utility forks
Utility frame
Vibratory roller
Water kit
Wheel saw
Whisker broom

*Attachment control kit required.
 **When operating the loader with this attachment, a Special Applications Kit, which includes a 12 mm Lexan front door with 6 mm top and rear windows, must be used.
 †Optional water kit.

Dimensions



www.bobcat.eu



Bobcat®

Specifications and design are subject to change without notice - Pictures of Bobcat units may show other than standard equipment.

