

INDUSTRIAL TRUCK-MOUNTED FORKLIFT

- Weight unladen : only 825 kg
- Nominal load capacity : 1200 kg at 1.80 m
- Integrated side - shift 200 mm



TMD 12



Load capacity1 200 kg
at 500 mm load center



Mast
Standard lift height.....1800 mm
Lifting speed laden.....0.16 m/sec



Wheels
Front tyres3.00 - 4 ht
Rear tyre.....18 x 7.8 16 PR LT
Rear tyre pressure.....9 bar
Number of drive wheel1



EngineKUBOTA Z482-E
Capacity.....2 cyl. - 479 cm³
Power (ISO/ DIN 70020).....13.2 HP/9.7 Kw



Transmission
Type.....Hydrostatic
Reversing shiftélectromagnétique
Maximum travel speed.....10.3 km/h



Capacities
Fuel tank.....13 l.
Hydraulic oil26 l.



Dimensions
Overall length (with forks).....2511 mm
Overall width1589 mm
Overall height (mast lowered).....1438 mm
Turning radius (outside wheels).....2456 mm
Rear Overhang935 mm
Weight unladen.....825 kg



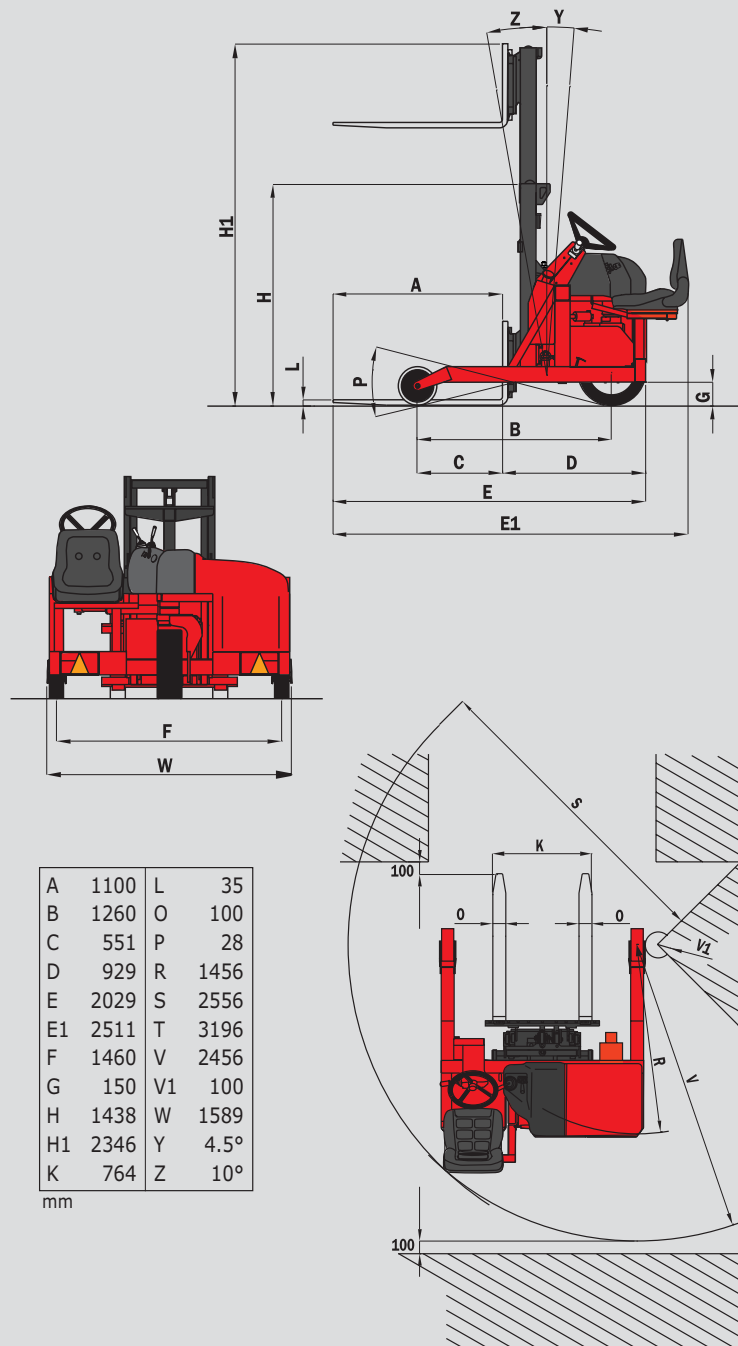
Design and safety
Stability testings under EN 1726-1 C regulation
Full visibility
Closed frame for full protection of components
Low cost and easy maintenance



Hooking (in option)
Mounting kit with crash bar
Fitting and load study
Possible adaptation to any existing mounting kit

Options

- Load backrest (880 x 476 mm)
- Hydraulic line for attachments
- Rotating beacon and road lights
- Light on reversing shift and working lights
- Slings ring
- Seat cover
- Security webbing



This publication in no way constitutes an offer and the company reserves the right to alter specification without prior notice.
The MANITOU models presented in this brochure can be supplied complete with optional equipment attachments.
IMPORTANT : All regulations relating to vehicles apply to vehicles equipped with truck-mounted forklifts.



MANITOU BF SA

B.P. 249 - 44158 Ancenis Cedex - France
Tél. : 33 2 40 09 10 11 / Export Department Fax : 33 2 40 09 10 97
www.manitou.com

700145EN



MANITOU