

# MANITRANSIT ■ TMT 320-3 FL

## 4 way rough terrain telescopic truck-mounted forklift

- Unloading from one side of the deck
- Suitable for long loads
- Integrated side - shift 150 mm
- Nominal capacity 2000 kg/  
maximum 2500 kg



# TMT 320 - 3 FL



## Load capacities (load centre 500 mm)

Nominal capacity : .....2000 kg  
(in front of wheels, at max. height, on stabilizers)  
Maximum capacity : .....2500 kg  
(between wheel arms, on tyres)



## Telescopic boom (without additional equipment)

Maximum lifting height : .....3.23 m  
Maximum forward reach : .....1.35 m  
Side-shift : .....150 mm  
Tipping/crowding : .....9°/98°  
2 cross levers for all movements



## Wheels

3 wheel drive and steer  
Front tyres : .....23 x 8.5-12 10 PR (overall Ø = 596 mm)  
Rear tyre : .....10 x 16.5 10 PR (overall Ø = 788 mm)  
2 stabilizers in standard



## Engine

LISTER PETTER LPWS 4  
Capacity : .....4 cyl. - 1860 cm<sup>3</sup>  
Power (DIN 70020) : .....39.7 HP/29.2 kw



## Transmission

Type : .....hydrostatic  
Reversing shift (on lever) : .....electro-magnetic  
Differential lock : .....foot-operated  
Maximum travel speed : .....12.5 km/h  
Hydraulic pump : .....270 bar/36 l/mn



## Tanks

Fuel : .....40 L  
Hydraulic oil : .....35 L



## Dimensions

Overall width : .....2492 mm  
Overall height : .....2198 mm  
Turning radius (rear wheel axle) : .....3050 mm  
Turning circle (rear frame) : .....3657 mm  
Ground clearance : .....359 mm  
Overhang : .....1380 mm  
Overall weight (including 1100 mm forks) : .....2545 kg



## Design and safety

ROPS/FOPS cab and overload indicator  
Stability testings under EN 1459 B regulation  
Full visibility  
Waterproof dashboard and electric connections  
Closed frame for full protection of components  
High resistance polyurethane painting  
Low cost and easy maintenance



## Hooking (in option)

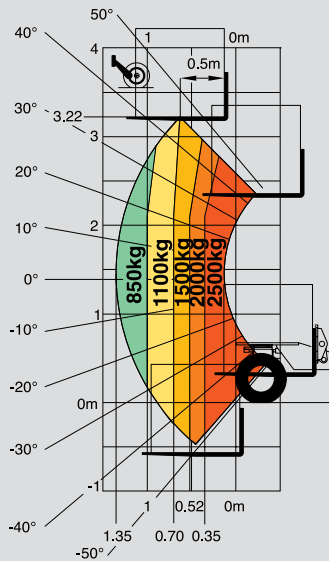
Mounting kit with crash bar  
Fitting and load study  
Possible adaptation to any existing mounting kit

## Options

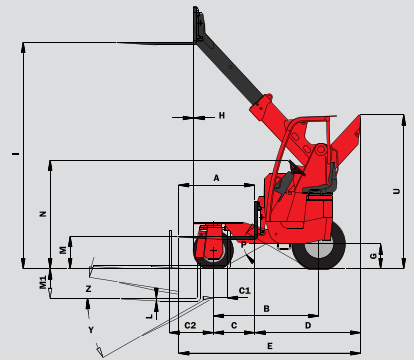
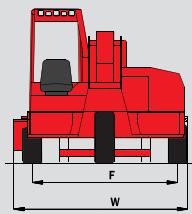
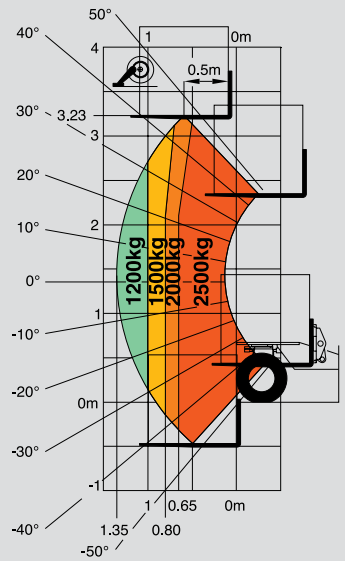
- 1200 mm and 2000 mm forks
- Load backrest (1270 x 468 mm)
- Rotating beacon and road lights
- Light on reversing shift and working lights
- Rear lights protection
- Rear view mirrors (inside and outside)
- Transparent roof guard
- Seat cover
- Warning horn on reversing shift
- Oil cooling
- Self-cleaning filter

This publication in no way constitutes an offer, and the company reserves the right to alter specification without prior notice.  
The MANITOU models presented in this brochure can be supplied complete with optional equipment attachments.  
IMPORTANT : All regulations relating to vehicles apply to vehicles equipped with truck-mounted forklifts.

On tyres  
(load centre 500 mm)

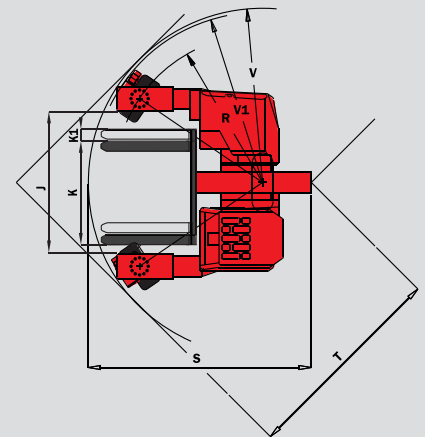


On stabilizers  
(load centre 500 mm)



A	1100	M	466
B	1525	M1	429
C	597	N	1570
C1	203	P	59°
C2	639	R	1846
D	1532	S	2765
E	2632	T	2587
F	2080	U	2198
G	359	V	2160
H	4	V1	2116
I	3272	W	2492
J	1780	Y	98°
K	1180	Z	9°
K1	150		

mm



MANITOU BF SA

B.P. 249 - 44158 Ancenis Cedex - France  
Tél. : 33 2 40 09 10 11 / Export Department Fax : 33 2 40 09 10 97  
www.manitou.com

700118EN - Doc BI 304/Ind. A

